

ORIGINAL RESEARCH PAPER

Assessing the Posture and predicting the factors affecting musculoskeletal disorders in computer uses by neural networks

Rajabali Hokmabadi^{1,2*}, Parvin Sepehr³

¹ Department of Occupational Health Engineering, School of Health, Tehran University of Medical Sciences, Tehran, Iran.

² Department of Occupational Health Engineering, School of Health, North Khorasan University of Medical Sciences, Bojnurd, Iran.

³ Department of Occupational Health Engineering, Faculty of Health, Shahid Beheshti University of Medical Sciences, Tehran, Iran.

Received: 2020-12-04

Accepted: 2021-10-09

ABSTRACT

Introduction: Working with a computer and workplace conditions expose people to risk factors of musculoskeletal disorders (MSDs). This study aimed to assess posture, examine MSDs, and determine, weigh and prioritize the risk factors among computer users by a neural network algorithm.

Material and Methods: This descriptive-analytical cross-sectional study was conducted in six phases on computer users in 2019. The status of MSDs was determined via Nordic musculoskeletal questionnaire (NMQ). The factors affecting these disorders were determined by the ROSA method, and then these factors were weighed by the neural network algorithm. The data were analyzed in IBM SPSS Modeler.

Results: The mean age and work experience of the users were 34 ± 6.9 and 1.5 ± 0.7 years, respectively. Most of years were observed at the lower back, neck, and upper back, respectively. The final mean scores of the chair, telephone-monitor, and mouse-keyboard were 3.7 ± 1 , 3.6 ± 1.1 , and 3.65 ± 1.2 , respectively and the final mean score of ROSA was 4.4 ± 0.9 . The greatest correlation with the ROSA score was observed in chair ($R^2 = 0.46$), followed by telephone-monitor ($R^2 = 0.43$), and mouse-keyboard ($R^2 = 0.42$). The highest predictor importance of the effective factors based on the neural network algorithm prioritization belonged to the chair (48%), followed by telephone-monitor (28%) and mouse-keyboard (24%). The accuracy of the neural network algorithm in examining the effect of factors on musculoskeletal disorders was 98% based on the ROSA score.

Conclusion: Factors affecting years due to working with computers are the chair, telephone-monitor, and mouse-keyboard, respectively, as prioritized by the neural network algorithm. These disorders can be prevented by ergonomic modification of users' chairs and correct placement of the monitor and telephone.

Keywords: Posture assessment, musculoskeletal disorders, ROSA method, Nordic musculoskeletal questionnaire, neural network

1. INTRODUCTION

In recent years, the application of computers at the workplace has markedly increased. This trend has accelerated the performance of tasks and led to resource, time, and energy saving. Employees spend most of their time at the workplace on computers. Administrative staff who constitute a large share of the active population spend at least

one-third or even half of their day at the workplace. They are one of the most important work groups for any society since they are in charge of planning, implementation, direction, and monitoring national and regional programs and the number of them is increasing as countries become more developed.

The alleviation and control of MSDs among the human force are the major problem facing

* Corresponding Author Email: abi.hse2006@gmail.com

ergonomic specialists worldwide. Due to the importance of controlling and alleviating these disorders, many countries view the prevention of work-induced MSDs among the human force as a national priority. Despite many work-induced diseases originated in contact with hazardous substances, several factors may contribute to the incidence of MSDs. Various scientific studies have identified ergonomic, psychological, social, organizational, and personal factors as the risk factors of the incidence of work-induced MSDs. The ergonomic factors include undesirable physical status, non-standard workplace, repetitive daily movements, and duration of work. Environment factors (temperature, humidity, lighting), psychological and organizational factors (high demand, low control, absence of social supports), and personal factors (age, sex, BMI) also contribute to these injuries.

Several studies in Iran and other countries have assessed the posture of administrative staff (computer users) working at universities, governmental offices, banks, telephone centers, and other workplaces. However, very few studies have weighed and prioritized the factors affecting MSDs among computer operators via the neural network method. Prolonged and constant working with computers and performing tasks in a seated and static position can be the risk factor for MSDs, and the prevention of these disorders at the workplace is of utmost importance. Therefore, this study aimed to assess posture, examine MSDs, and determine, weigh and prioritize the risk factors among computer users by a neural network algorithm.

2. MATERIAL AND METHODS

This descriptive-analytical cross-sectional study was conducted on computer users in 2019. As the goal was to prioritize the risk factors of MSDs, no inclusion criteria were set for the participants and only their musculoskeletal status in relation to their workstations was assessed. Based on the methods adopted in previous studies, 100 workstations were ergonomically assessed and their data were recorded. This study was conducted in six phases on computer users:

1. Determining the status of MSDs: To this end, the Nordic musculoskeletal questionnaire was administered.

2. Selecting and calculating factors affecting MSDs among computer users: The rapid office

strain assessment (ROSA) method was used for this purpose. ROSA was developed by Michael Sonne et al. (2011) to identify administrative work risk factors and determine their priority to strike an optimal balance between employees and work station equipment. ROSA is a paper-based method adopted from the CSA-Z412 standard in Canada. It divides the workstation into several sections, including chair, monitor, and telephone, mouse, and keyboard, and specifies the risk level of each.

3. Pre-processing the data: The final scores of the effective factors and the final ROSA score were the input into the software. All the data sources collected were evaluated in a file and finally, the IBM SPSS Modeler 18 was employed to determine the predictor importance of the effective factors.

4. Prioritizing and weighing the effective factors: A neural network algorithm simulating the biological neural network was used for this purpose. Fig. 1 depicts the three-layer structure of the feed forward network with the back-propagation algorithm. This algorithm is used in most of the time-series modeling studies and is a general model for non-linear mapping of input and output variables. This three-layer structure is based on a linear combination of input variables that are transformed via a non-linear Dynamic function. Parameters i , j , and k denote the neurons of the input, hidden, and output layers, respectively.

In the above structure, the mathematical equation expressing the function of the network for generating output values is formulated as:

$$\hat{y}_k = f_0 \left[\sum_{j=1}^M W_{kj} \cdot f_h \left(\sum_{i=1}^N w_{ji} x_i + w_{j0} \right) + w_{k0} \right] \quad (1)$$

where, w_{ji} is the weight factor of the connection branch between the i^{th} neuron in the input layer and the j^{th} neuron in the hidden layer, w_{j0} is the value of bias for the j^{th} neuron of the hidden layer, f_h is the activation function of the hidden-layer neuron, w_{kj} is the weight factor of the connection branch between the k^{th} neuron of the hidden layer and the j^{th} neuron of the output layer, w_{k0} is the value of bias of the k^{th} neuron of the output layers, f_0 is the activation function of the output-layer neurons, x_i is the i^{th} input variable in the input layer, y_k and y are calculated and observational variables, respectively, and M and N are respectively the number of neurons in the input and middle layers. The weight of hidden and output layers differs and their values can be altered during network training.

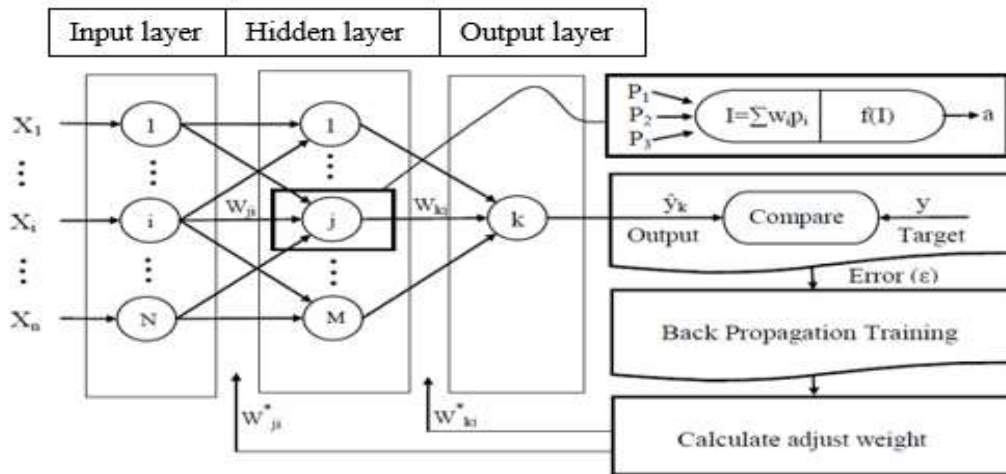


Fig. 1. Three-layer structure of the feedforward neural network with back-propagation

5. Calculating the accuracy of the neural network algorithm: In classification algorithms such as neural network applied for classifying discrete output variables, evaluation criteria such as accuracy, confusion matrix, sensitivity, and specificity are used. Herein, accuracy and confusion matrix are utilized. Based on the following equation, the accuracy of the model is, in fact, the ratio of the correctly predicted cases to all the cases.

$$\text{Accuracy} = \frac{\text{Accurate positive cases} + \text{Accurate negative cases}}{\text{All cases}}$$

A confusion matrix is a square matrix, the dimensions of which are equal to the number of output variable classes.

6. Interpreting the data: Visualization is a knowledge representation technique to present the discovered knowledge to users, such that the weight of each effective factor on the final disorder can be discerned.

Data analysis (frequency distribution, mean, SD, plotting the figures) was performed using SPSS 22.

3. RESULTS AND DISCUSSION

Of the 100 computer users, 70 were women (70%) and 30 were men (30%). The participants' mean age was 34 ± 6.9 years and their mean work experience was 1.5 ± 0.7 years.

Most of the musculoskeletal problems were observed at the lower back (66%), neck (52%), and upper back (50%), Minimum problems were reported in the elbows (18%). The majority of the problems was the lower back pain (59%) and

neck pain (44%) in the age group of $30 \geq$ years old; lower back pain (69%) and upper back (56%) in the age group of 31-40 years old; and lower back pain (63%) and neck pain (52%) in the age group of $41 \leq$ years old. Most of the musculoskeletal problems were lower back pain, with 70% and 48% prevalence among women and men, respectively. The prevalence of MSDs was higher in women. The statistical analysis revealed no significant difference in the frequency of MSDs in terms of BMI, but MSDs increased with work experience.

Table 1 lists the frequency of computer users depending on the level of exposure to inappropriate whole-body posture risk by using the ROSA, and the relationship between frequency distribution of MSDs. The relationship between these disorders and the ROSA score was significant only for the neck.

The mean final ROSA score for 100 analyzed stations was 4.4 ± 0.9 . The minimum mean score of the subsets belonged to mouse-keyboard, and the maximum belonged to telephone-monitor. The risk level of 65 workstations was examined. Thirty-five work stations (35%) had equal scores of above 5, which needs further assessment and immediate measures.

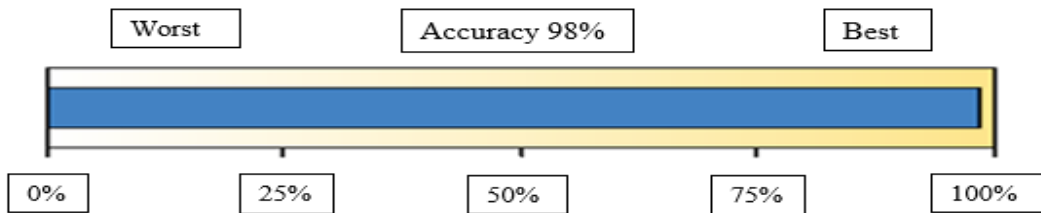
The correlation between the final scores of factors affecting MSDs and the final ROSA score is reported. The greatest correlation with the final ROSA score belonged to chair ($R^2 = 0.46$), followed by telephone-monitor ($R^2 = 0.43$), and finally mouse-keyboard ($R^2 = 0.42$). The highest predictor importance of these factors as prioritized by the neural network algorithm belonged to the chair (48%), followed by telephone-monitor (28%), and

Table 1. Frequency distribution of musculoskeletal disorders in terms of exposure level to inappropriate posture risk in computer users

Limb	Pain	Exposure level to risk based on ROSA score					Total	p-value
		3	4	5	6	7		
Neck	Yes	0	14	14	22	2	52	0.03
	No	4	16	18	10	0	48	
Shoulder	Yes	2	13	19	20	1	55	0.9
	No	2	14	14	14	1	45	
Elbow	Yes	0	1	6	11	0	18	0.3
	No	4	29	22	25	2	82	
Wrists/hands	Yes	1	16	16	17	0	50	0.6
	No	2	13	15	18	2	50	
Lower back	Yes	1	22	19	22	2	66	0.3
	No	3	8	11	12	0	34	
Buttocks/thighs	Yes	0	6	6	7	1	20	0.7
	No	4	24	26	25	1	80	
Knees	Yes	0	9	10	18	0	37	0.1
	No	4	19	20	18	2	63	
Upper back	Yes	2	13	17	19	1	50	0.9
	No	3	14	15	17	1	50	
Ankles/feet	Yes	0	6	4	16	0	16	0.7
	No	4	24	28	26	2	84	

Table 2. Confusion matrix and accuracy of the neural network algorithm in predicting the ROSA score

Observed	Predicted							
	2	3	4	5	6	7	8	9
2	0%	0%	50%	0%	0%	50%	0%	0%
3	0%	100%	0%	0%	0%	0%	0%	0%
4	0%	0%	100%	0%	0%	0%	0%	0%
5	0%	0%	0%	100%	0%	0%	0%	0%
6	0%	0%	0%	0%	100%	0%	0%	0%
7	0%	0%	0%	0%	0%	100%	0%	0%
8	0%	0%	0%	0%	0%	0%	100%	0%
9	0%	0%	0%	0%	0%	0%	0%	100%



finally, mouse-keyboard (24%).

Table 2 lists the confusion matrix and accuracy of the neural network algorithm in predicting the ROSA

score. The accuracy of this algorithm in examining the effects of effective factors for MSDswas 98% based on the final ROSA score classification.

So far, several studies have examined computer use and assessed the MSDs among administrative staff, but very few studies have focused on the assessment, prediction, weighing, and prioritization of factors affecting these disorders by using a neural network algorithm. Therefore, it is recommended more studies be conducted on larger samples. A limitation of this study was the lack of cooperation of some computer users due to lack of awareness, a problem which was resolved by explaining the characteristics of the study to them.

4. CONCLUSIONS

The highest weight of the factors affecting MSDsin computer users based on the neural network algorithm prioritization belonged to the chair, telephone-monitor, and mouse-keyboard,

respectively. The highest correlation with the final ROSA score belonged to the chair, telephone-monitor, and mouse-keyboard, respectively. These disorders and injuries can be prevented by ergonomic modification of users' chairs and correct placement of the monitor and telephone. The ROSA method helps identify the nature and effect of each MSDsin users, and ergonomic interventions to mitigating these disorders can be provided based on these factors' degree of effectiveness.

5. ACKNOWLEDGMENT

The authors acknowledge the cooperation and support of Vice Chancellor for Research and Technology at North Khorasan University of Medical Sciences, and the directors and staff of this university.

ارزیابی پوسچر و پیش بینی عوامل موثر بر اختلالات اسکلتی-عضلانی در کاربران رایانه به روش شبکه عصبی

رجبعلی حکم آبادی^{۱،۲*} - پروین سپهر^۳

^۱ گروه مهندسی بهداشت حرفه ای، دانشکده بهداشت، دانشگاه علوم پزشکی تهران، تهران، ایران.
^۲ گروه مهندسی بهداشت حرفه ای، دانشکده بهداشت، دانشگاه علوم پزشکی خراسان شمالی، بجنورد، ایران.
^۳ گروه مهندسی بهداشت حرفه ای، دانشکده بهداشت، دانشگاه علوم پزشکی شهید بهشتی، تهران، ایران

تاریخ دریافت: ۱۳۹۹/۹/۱۴، تاریخ پذیرش: ۱۴۰۰/۷/۱۷

چکیده

مقدمه: کار با رایانه و شرایط حاکم بر محیط‌های شغلی، انسان را در معرض ریسک فاکتورهای اختلالات اسکلتی-عضلانی قرار می‌دهد. لذا هدف از این مطالعه ارزیابی پوسچر، بررسی وضعیت اختلالات اسکلتی-عضلانی، تعیین ریسک فاکتورها، وزن دهی و اولویت بندی این ریسک فاکتورها با استفاده از الگوریتم شبکه عصبی در کاربران رایانه می‌باشد.

روش کار: این مطالعه از نوع توصیفی تحلیلی و به صورت مقطعی بر روی کاربران رایانه در سال ۱۳۹۸ انجام گرفت. این مطالعه در شش مرحله کلی انجام گرفت که تعیین وضعیت اختلالات اسکلتی-عضلانی با استفاده از پرسشنامه نوردیک، انتخاب عوامل موثر بر اختلالات اسکلتی-عضلانی با روش ROSA و وزن دهی عوامل موثر بر این اختلالات با استفاده از الگوریتم شبکه عصبی انجام گرفت. داده‌ها با نرم افزار IBM SPSS Modeler آنالیز شدند.

یافته‌ها: میانگین سن و سابقه کار کاربران بترتیب $34 \pm 6/9$ و $1/5 \pm 0/7$ سال محاسبه گردید. بیشترین اختلالات اسکلتی-عضلانی بترتیب در نواحی کمر، گردن و بخش فوقانی پشت مشاهده گردید. میانگین نمره نهایی صندلی، تلفن-مانیتور و موس-کیبورد بترتیب برابر با $3/7 \pm 1$ ، $3/6 \pm 1/1$ و $3/6 \pm 1/2$ و میانگین نمره نهایی ROSA برابر $4/4 \pm 0/9$ بود. بیشترین همبستگی با نمره ROSA متعلق به عامل صندلی ($R^2 = 0,46$) و پس از آن عامل تلفن-مانیتور ($R^2 = 0,43$) و عامل موس-کیبورد ($R^2 = 0,42$) بود. اعتبار پیش بینی عوامل موثر بر اختلالات اسکلتی-عضلانی طبق اولویت بندی الگوریتم شبکه عصبی بترتیب برای صندلی (۰/۴۸)، تلفن-مانیتور (۰/۲۸) و موس-کیبورد (۰/۲۴) بود. صحت الگوریتم شبکه عصبی در بررسی میزان تاثیر عوامل موثر بر اختلالات اسکلتی-عضلانی، بر اساس امتیاز ROSA برابر ۹۸٪ بدست آمد.

نتیجه گیری: عوامل موثر بر اختلالات اسکلتی-عضلانی کار با رایانه طبق اولویت بندی الگوریتم شبکه عصبی به ترتیب صندلی، تلفن-مانیتور و موس-کیبورد می‌باشد. لذا با اصلاح ارگونومیک صندلی کاربران و جانمایی مناسب مانیتور و تلفن می‌توان از بخش عمده ای از اختلالات اسکلتی-عضلانی کاربران رایانه پیشگیری نمود.

کلمات کلیدی: ارزیابی پوسچر، اختلالات اسکلتی-عضلانی، روش ROSA، پرسشنامه نوردیک، شبکه عصبی

* پست الکترونیکی نویسنده مسئول مکاتبه: abi.hse2006@gmail.com

مقدمه

در سال های اخیر، کاربرد رایانه در محیط های شغلی افزایش چشمگیری یافته است. این روند سبب تسریع در انجام امور و صرفه جویی در منابع، وقت و انرژی شده است و افراد اکثرا زمان شغلی خود را با آن سپری می کنند (۲۰۱). افراد شاغل در بخش های اداری که بخش قابل توجهی از جمعیت فعال کشور را تشکیل می دهند، حداقل یک سوم و یا حتی نیمی از روز را در محیط کار سپری می کنند. کارکنان اداری از آنجا که برنامه ریزی، اجرا، هدایت و نظارت برنامه های ملی و منطقه ای را به عهده دارند، از جمله مهم ترین گروه های کاری هر جامعه هستند که با روند پیشرفت کشورها تعداد این کارکنان نیز در حال افزایش می باشد (۳).

یکی از تجهیزاتی که در محیط های کار اداری می توان مشاهده کرد سیستم رایانه می باشد که میزان استفاده از آن طی بیست سال اخیر افزایش چشمگیری پیدا کرده است، حدود ۶۰٪ از نیروی کار عنوان کردند که برای انجام بخشی از وظایف خود به رایانه نیاز دارند و حدود ۸۰٪ از آن ها عنوان کردند که به صورت روزانه از رایانه استفاده می کنند (۴-۸). در سوئد و کانادا نیز ۶۰٪ از کارکنان می بایست بخشی از وظایف روزانه خود را با رایانه انجام دهند که این آمار برای سوئد ۳۰٪ و برای کانادا ۳۹٪ بوده است (۹). در ایالات متحده، داده های حاصل از حدود ۲۰۰۰ مرکز نشان داد که بیش از ۵۵٪ تمام کارکنان از رایانه به عنوان ابزاری برای انجام وظایف شغلی استفاده می کنند (۱۰-۱۱) که در مطالعه ای تعیین شد که این افراد بیشتر از حدود ۷۵٪ زمان کاری خود را در کار با رایانه سپری می کردند، از طرفی محیط های اداری فضای کاری فیزیکی پیچیده ای همراه با تقابل بین کاربر، ایستگاه کاری و تجهیزات ایجاد می کنند (۱۲).

مطالعات مختلفی در مورد بررسی اختلالات اسکلتی-عضلانی ناشی از کار با رایانه و کارهای اداری در نقاط مختلف دنیا انجام شده است. نتایج مطالعه Gerr و همکاران، فراوانی آسیب های اسکلتی-عضلانی را در اندام های فوقانی در کاربران رایانه نشان

می دهد (۱۳). در مطالعه ای، فراوانی اختلالات اسکلتی-عضلانی در کاربران رایانه ۵۴٪ و بویژه در زنان و در نواحی گردن و شانه گزارش شد (۱۴) در پژوهشی که توسط Korhonen و همکاران انجام گرفت مشخص شد که کاربران رایانه دچار اختلالات اسکلتی-عضلانی به ویژه در نواحی گردن و کمر شده اند (۱۵). نتایج دیگر مقالات منتشر شده نیز نشان می دهد که خطر ابتلا به اختلالات اسکلتی-عضلانی در کاربران رایانه نسبت به سایر مشاغل بیشتر است. از طرفی سبک کار افراد، میزان استفاده از رایانه و پوسچر بدنی در هنگام کار از جمله مواردی هستند که می توان از آن در پیش بینی میزان ابتلا به اختلالات اسکلتی-عضلانی در محیط های کاری استفاده کرد (۱۶-۲۰).

در حال حاضر، کنترل و کاهش اختلالات اسکلتی-عضلانی در بین نیروی کار یکی از مهمترین مشکلات متخصصین ارگونومی در سراسر جهان می باشد. اهمیت کنترل و کاهش این اختلالات به قدری است که بسیاری از کشورها، پیشگیری از اختلالات اسکلتی-عضلانی ناشی از کار را در بین نیروی کار را به عنوان یکی از اولویت های ملی مورد توجه قرار داده اند (۲۱-۲۲). برخلاف بسیاری از بیماری های ناشی از کار که منشأ آن ها تماس با مواد خطرناک می باشد، در بروز اختلالات اسکلتی-عضلانی ممکن است چندین فاکتور نقش داشته باشد (۲۳). نتایج مطالعات علمی مختلف عوامل ارگونومیک، روانی، اجتماعی، سازمانی و فردی را به عنوان عوامل خطر بروز اختلالات اسکلتی-عضلانی ناشی از کار شناسایی کرده است. از عوامل ارگونومیک که منجر به بروز این گونه اختلالات می شوند می توان به وضعیت بدنی نامطلوب، محیط کار غیر استاندارد، حرکات تکراری روزانه و مدت زمان انجام کار را اشاره نمود (۲۴-۲۵). همچنین فاکتورهای محیطی (دما، رطوبت، روشنایی)، فاکتور روانی و سازمانی (تقاضای بالا، کنترل کم و فقدان حمایت های اجتماعی) و فاکتورهای فردی مثل سن، جنس و شاخص توده بدنی در بروز این صدمات نقش دارند (۲۶-۲۷).

۵ یا بالاتر از آن، باید برنامه های مداخله ای ارگونومیکی انجام گیرد (۳۶).

شبکه های عصبی از ابزارهای نوینی هستند که در سیستم های غیرخطی و نامعین که ارتباط بین اجزاء و پارامترهای سیستم به خوبی قابل شناسایی و توصیف نمی باشند، قادر به تحلیل و شبیه سازی می باشند (۳۷). فلسفه اصلی شبکه عصبی مصنوعی، مدل کردن ویژگی های پردازشی مغز انسان برای تقریب زدن روش های معمول محاسباتی با روش پردازش زیستی است. به بیان دیگر، شبکه عصبی مصنوعی روشی است که دانش ارتباط بین چند مجموعه داده را از طریق آموزش فراگرفته و برای استفاده در موارد مشابه ذخیره می کند. شبکه عصبی مصنوعی، از سه لایه ورودی، خروجی و پردازش تشکیل می شود. هر لایه شامل گروهی از سلول های عصبی (نورون) است که عموماً با کلیه نورون های لایه های دیگر در ارتباط هستند، مگر این که کاربر ارتباط بین نورون ها را محدود کند؛ ولی نورون های هر لایه با سایر نورون های همان لایه، ارتباطی ندارند. مزیت شبکه عصبی یادگیری مستقیم از رویدادها بدون نیاز به برآورد مشخصات آماری آن ها است. شبکه عصبی بدون در نظر گرفتن هیچ فرضیه اولیه و دانش قبلی از روابط بین پارامترهای مورد مطالعه، قادر به پیدا کردن رابطه بین مجموعه ورودی ها و خروجی ها برای پیش بینی هر خروجی متناظر با ورودی دلخواه می باشد (۳۸).

اختلالات اسکلتی عضلانی در محیط کاری به دلیل شیوع و هزینه های بالا دارای اهمیت زیادی می باشد (۳۹). طبق مطالعات قبلی فاکتورهای مرتبط با این اختلالات شامل مشخصه های فردی، ریسک فاکتورهای شغلی و مواجهات غیرشغلی می باشد (۴۰). در کاربران رایانه، نیز علاوه بر برخی از فاکتورهای ذکر شده، فاکتورهای دیگری مانند سن، جنس، چاقی، فعالیت فیزیکی و سیگار کشیدن به عنوان فاکتورهای فردی، فاکتورهای مرتبط با طراحی ایستگاه کاری مانند مدت زمان استفاده از کامپیوتر، دفعات استراحت، روش کار با صفحه کلید، وضعیت نمایشگر کامپیوتر، نوع و استفاده از دستگاه های متصل به

در یک بررسی در سال ۲۰۰۵ شیوع اختلالات اسکلتی-عضلانی کاربران رایانه بین ۶۲٪-۱۰ گزارش شده است (۲۸). مطالعات NIOSH نیز نشان می دهد بیش از ۷۵٪ کاربران رایانه در محیط اداری از درد کمر و شانه رنج می برند (۲۹) و نیز در مطالعه دیگری توسط این سازمان که در بین ۱۰۰۰ کاربر رایانه انجام شد، مشخص گردید ۲۵٪-۲۰ این افراد دچار ناراحتی کمر هستند (۳۰). سه رویکرد برای شناسایی ریسک فاکتورهای مرتبط با اختلالات اسکلتی-عضلانی شغلی مورد استفاده قرار می گیرد: (۱) خوداظهاری کارگر (۲) اندازه گیری های مستقیم؛ که در آن ابزارهایی به منظور اندازه گیری مستقیم پوسچر استفاده می شود (۳) روش هایی بر پایه مشاهده؛ که به منظور آنالیز، شغل موردنظر در زمان واقعی خود (یا فیلم ضبط شده آن) مشاهده می شود و با استفاده از رویکردی سیستماتیک ریسک فاکتورها طبقه بندی می شوند. (۳۱). مثال های ارزیابی بر پایه مشاهده مثل روش های ¹RULA (۳۲)، ²REBA (۳۳)، ³QEC (۳۴) و ⁴ROSA (۳۵) می باشد.

روش ROSA بر اساس ⁵CSA برای تعیین ریسک فاکتورهای اسکلتی-عضلانی کار با کامپیوتر می باشد. ریسک فاکتورهایی که در این روش شناسایی می شود شامل صندلی، مانیتور و تلفن، موس و کیبورد سازماندهی شده اند. این ریسک فاکتورها به هر جزء از محیط کار اداری تأکید می کنند و نمره خطر آن را می سنجند. نمرات تأیید شده هر ریسک فاکتور سپس برای نمره نهایی ROSA در هم ترکیب می شوند، نمره نهایی نشان دهنده خطر کلی ناراحتی اسکلتی-عضلانی است. پی بردن به خطر بر پایه نمره نهایی ROSA مهم است و به فرایند تصمیم گیری برای تفسیر ایستگاه های کاری کمک می کند. این (تصمیم گیری) به این معنی نیست که هیچ گونه خطری برای نمرات نهایی کمتر از ۵ وجود ندارد، ولی سطح خطر کم است. اگرچه در نمرات مساوی

1 Rapid Upper Limb Assessment

2 Rapid Entire Body Assessment

3 Quick Exposure Check

4 Rapid Office Strain Assessment

5 Canadian Standards Association

- ۱) تعیین وضعیت اختلالات اسکلتی عضلانی با استفاده از پرسشنامه نوردیک
- ۲) انتخاب و محاسبه عوامل موثر بر اختلالات اسکلتی-عضلانی کاربران رایانه بر اساس روش ROSA
- ۳) پیش پردازش داده ها بر اساس نرم افزار IBM SPSS Modeler 24.0
- ۴) استفاده از الگوریتم شبکه عصبی برای اولویت بندی و وزن دهی عوامل موثر بر اختلالات اسکلتی-عضلانی
- ۵) محاسبه صحت الگوریتم شبکه عصبی
- ۶) تفسیر داده ها بر اساس نرم افزار SPSS ورژن ۲۲ (۴۲)

۱) تعیین وضعیت اختلالات اسکلتی عضلانی با استفاده از پرسشنامه نوردیک: ساختار این پرسشنامه به گونه‌ای است که می‌توان آن را به دو طریق تکمیل نمود: یکی از طریق مصاحبه و دیگری توسط خود افراد. این پرسشنامه از دو بخش تشکیل شده است:

الف) پرسشنامه‌ی عمومی و ب) پرسشنامه‌ی اختصاصی. هدف از پرسشنامه‌ی عمومی بررسی کلی بوده و در آن علائم اختلالات در کل بدن مطرح می‌شود. در حالی که پرسشنامه‌ی اختصاصی به تجزیه و تحلیل عمیق علائم در نواحی خاصی از بدن مانند کمر، گردن، شانه‌ها و مچ و دست می‌پردازد. به طور کلی در طراحی این پرسشنامه‌ها دو هدف عمده دنبال شده است: الف) به عنوان ابزاری جهت غربالگری اختلالات اسکلتی-عضلانی ب) برای خدمات بهداشت شغلی. این پرسشنامه‌ها می‌توانند جهت سنجش مطالعات اپیدمیولوژیک در زمینه اختلالات اسکلتی-عضلانی به کار برده شوند، اما نمی‌توان از آن‌ها جهت تشخیص کلینیکی استفاده کرد. غربالگری اختلالات اسکلتی-عضلانی می‌تواند به عنوان یک ابزار تشخیصی برای واکاوی محیط کار، ایستگاه کار و طراحی ابزار بکار برده شود. به عنوان مثال، عدم تناسب وظیفه یا ابزار با کارور، با بروز اختلالات اسکلتی-عضلانی ارتباط دارد و یا این که تمرکز و محل علائم می‌تواند دلیل آن عارضه را بیان کند. در خدمات بهداشت شغلی نیز

رایانه و فاکتورهای روانی-اجتماعی نیز در ایجاد اختلالات اسکلتی عضلانی نقش دارند (۴۱).

تاکنون مطالعات فراوانی در خصوص ارزیابی پوسچر کارکنان اداری (کاربران رایانه) شاغل در دانشگاه‌ها، ادارات دولتی، بانک‌ها، کارکنان مرکز تلفن و محیط‌های کاری مختلف در داخل و خارج از کشور انجام شده است؛ اما مطالعات بسیار کمی در خصوص وزن دهی و اولویت بندی عوامل مؤثر بر اختلالات اسکلتی-عضلانی اپراتورهای رایانه به روش شبکه عصبی در بین اپراتورهای کامپیوتر وجود دارد. از طرفی با توجه به اینکه کار مداوم و طولانی مدت با رایانه و انجام وظایف در حالت استاتیک و نشسته می‌تواند به عنوان یک عامل خطر در ابتلا به اختلالات اسکلتی-عضلانی شناخته شود و پیشگیری از این اختلالات در محیط‌های کاری از اهمیت بالایی برخوردار است، لذا هدف از این مطالعه، ارزیابی پوسچر، بررسی وضعیت اختلالات اسکلتی عضلانی، تعیین ریسک فاکتورها، وزن دهی و اولویت بندی این ریسک فاکتورها با استفاده از الگوریتم شبکه عصبی در کاربران رایانه می‌باشد.

روش کار

این مطالعه از نوع توصیفی تحلیلی و به صورت مقطعی و با هدف ارزیابی پوسچر، تعیین وضعیت اختلالات اسکلتی-عضلانی، پیش بینی، وزن دهی و اولویت بندی عوامل موثر بر اختلالات اسکلتی-عضلانی کاربران رایانه به روش شبکه عصبی در سال ۱۳۹۸ انجام گرفت. چون هدف این مطالعه صرفاً اولویت بندی به عوامل موثر بر اختلالات اسکلتی-عضلانی بود، در نتیجه برای افراد معیار ورودی در نظر گرفته نشد و فقط وضعیت اختلالات اسکلتی-عضلانی و پوسچر افراد نسبت به ایستگاه‌های کاری مورد ارزیابی قرار گرفت. با توجه به نوع روش و مطالعات قبلی انجام شده، ۱۰۰ ایستگاه کاری مورد ارزیابی ارگونومیکی قرار گرفت و اطلاعات آن‌ها ثبت شد. این مطالعه در شش مرحله کلی بر روی کاربران رایانه انجام شد که عبارتند از:

که امتیازها در بخش های صندلی، تلفن- مانیتور، موس- کیبورد، پوسچر فرد حین استفاده از این ابزارها و مدت زمان کار هستند و این امتیازها در جدول های مربوطه لحاظ شده اند. این عوامل برای هر ایستگاه کاری محاسبه گردید. در استفاده از این روش ابتدا پوسچر فرد با توجه به ایستگاه های کاری مختلف امتیاز گذاری می شود و در نهایت امتیاز نهایی ROSA عددی بین ۰ تا ۱۰ خواهد بود. پس از محاسبه امتیازهای نهایی عوامل تاثیرگذار در جدول های مربوطه؛ از ترکیب آن ها در جدول نهایی، نمره نهایی ROSA محاسبه می شود (۳۵).

۳) پیش پردازش داده ها: نمرات نهایی عوامل موثر و نیز نمره نهایی ROSA به نرم افزار وارد می شود. تمام منابع اطلاعات جمع آوری شده در یک فایل ارزیابی گردید و در نهایت در نرم افزار IBM SPSS Modeler 18.0 جهت تعیین اعتبار پیش بینی عوامل موثر بر افتلالات اسکلتی-عضلانی تحت پردازش قرار گرفت (۴۲).

۴) وزن دهی عوامل موثر بر افتلالات اسکلتی-عضلانی به روش شبکه عصبی: الگوریتم شبکه عصبی، شبکه عصبی بیولوژیکی را شبیه سازی می کند. در شکل زیر ساختار سه لایه ای شبکه عصبی پیشخور با الگوریتم انتشار برگشتی آورده شده است که در اکثر مدل سازی های سری های زمانی مورد استفاده قرار می گیرد و یک الگوی کلی برای نگاشت غیرخطی میان متغیرهای ورودی و خروجی است. این ساختار سه لایه ای بر پایه ترکیب خطی از متغیرهای ورودی است که با یک تابع پویا غیرخطی تبدیل می یابد. پارامترهای i ، j و k به ترتیب بیانگر نرون های لایه ورودی، مخفی و خروجی می باشد (۲۲).

در ساختار بالا معادله ریاضی که بیانگر چگونگی عملکرد شبکه برای تولید مقدار خروجی است، به صورت فرمول زیر است:

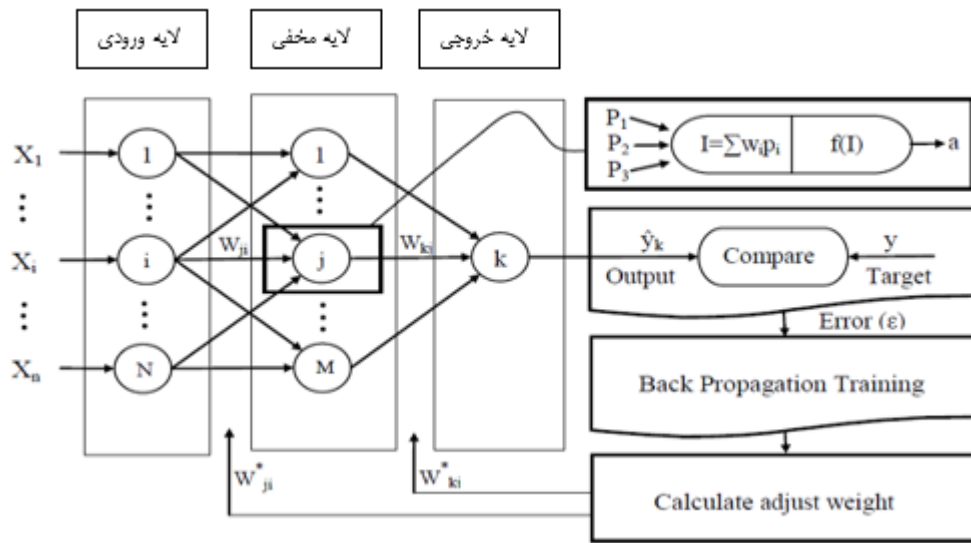
$$\hat{y}_k = f_0 \left[\sum_{j=1}^M W_{kj} \cdot f_h \left(\sum_{i=1}^N W_{ji} x_i + W_{jo} \right) + W_{ko} \right] \quad (1)$$

6 Predictor Importance

می توان در چندین منظور از این پرسشنامه استفاده کرد، تشخیص تنش ناشی از کار و اثر بهبود کار مثال هایی در این زمینه می باشد (۴۳)

۲) انتخاب و محاسبه عوامل موثر بر افتلالات اسکلتی-عضلانی: برای این منظور از روش ارزیابی سریع استرین اداری (ROSA)، که توسط Michael Sonne و همکاران در سال ۲۰۱۱ برای شناسایی ریسک فاکتورهای کار اداری و تعیین اولویت برای دستیابی به یک تناسب بهینه بین کارکنان و تجهیزات ایستگاه کاری ارائه شد، استفاده گردید. ROSA یک روش مبتنی بر قلم و کاغذ و بر گرفته از استاندارد CSA - Z412 کانادا می باشد که ایستگاه کار را به چند بخش از جمله اجزای صندلی، مانیتور، تلفن، ماوس و کیبورد تقسیم کرده و سطح ریسک هر کدام از این بخش ها را مشخص می کند. پس از کدگذاری ریسک فاکتورهای شناسایی شده در هر بخش، پوسچرهای خنثی امتیاز حداقل ۱ و انحراف از این پوسچرها امتیاز ۱ تا ۳ را دریافت می کند، همچنین امتیاز مدت زمان استقرار پوسچر نیز طبق چکلیست به امتیاز فوق اضافه می شود. در انتها امتیاز هر بخش وارد ماتریس مربوطه شده و امتیاز نهایی صفر تا ۱۰ از ماتریس برآیند به دست می آید. افزایش امتیاز نشان دهنده افزایش سطح ریسک است. در صورتی که نمره ROSA بیشتر از ۵ باشد سطح کار دارای ریسک بالا است و نیاز به اصلاح فوری و ضروری دارد. طبق روش استاندارد ROSA، امتیازها در بخش های صندلی، مانیتور- تلفن، موس- کیبورد، پوسچر فرد حین استفاده از این ابزارها و مدت زمان کار هستند (۳۵) در نتیجه متغیرهای الف) صندلی ب) مانیتور- تلفن ج) موس- کیبورد؛ که در این روش دارای امتیاز هستند، به عنوان عوامل تاثیرگذار در نمره نهایی افتلالات در نظر گرفته شد.

ارزیابی ارگونومیکی افراد با بازدید و مشاهده از ایستگاه های کاری انجام گرفت. کار با مصاحبه ای مختصر از افراد در مورد شرایط کاری آن ها شروع و سپس ارزیابی محیط کار با روش ROSA توسط چک لیست انجام گرفت (۱۲). مراحل ارزیابی این روش شامل سه بخش اصلی می باشد



شکل ۱. ساختار سه لایه ای شبکه عصبی پیشخور با انتشار برگشتی

$$\text{صحت} = \frac{\text{موارد منفی درست} + \text{موارد مثبت درست}}{\text{کل موارد}}$$

ماتریس سردرگمی^۷ ماتریسی مربعی است که ابعاد آن برابر با تعداد گروه های متغیر خروجی است. (۶ تفسیر داده ها: نمایش بصری، تکنیک های بازنمایی دانش برای ارائه دانش کشف شده به کاربر است، به نحوی که می توان به وزن هر یک از عوامل تأثیرگذار در بروز اختلال نهایی پی برد و آنالیز داده ها شامل توزیع فراوانی، میانگین، انحراف معیار و نمودارها با نرم افزار SPSS ورژن ۲۲ انجام گرفت.

یافته ها

از مجموع ۱۰۰ نفر از کاربران کامپیوتر، تعداد ۷۰ نفر خانم (۷۰٪) و ۳۰ نفر آقا (۳۰٪) بودند. بر اساس نتایج جدول شماره ۱، میانگین سنی افراد برابر با ۳۴±۶/۹ و میانگین سابقه کاری افراد برابر ۱/۵±۰/۷ سال محاسبه گردید.

بیشترین مشکلات اسکلتی-عضلانی کارکنان به

7 Confusion matrix

در این رابطه W_{ji} ضریب وزن شاخه ی ارتباط میان نورون i ام واقع در لایه ورودی و نورون j ام لایه مخفی، W_{jo} مقدار بایاس برای نورون j ام لایه مخفی، تابع f_h محرک نورون لایه مخفی، W_{kj} ضریب وزن شاخه ارتباطی میان نورون k ام لایه مخفی و نورون j ام لایه خروجی، W_{ko} مقدار بایاس نورون k ام لایه خروجی، تابع محرک نورون های لایه خروجی، X_i متغیر ورودی i ام در لایه ورودی، \hat{y}_k و y متغیر های محاسباتی و مشاهداتی و پارامترهای M و N به ترتیب تعداد نورون های لایه ورودی و میانی هستند. ضرایب وزن یاد شده در لایه های مخفی و خروجی متفاوت بوده و مقادیر آن ها در جریان آموزش شبکه نیز قابل تغییر می باشند (۴۴).

(۵) ارزیابی الگوریتم شبکه عصبی: در الگوریتم های طبقه بندی همچون شبکه عصبی که برای دسته بندی متغیر خروجی از نوع گسسته کاربرد دارد، از معیارهای ارزیابی همچون صحت، ماتریس سردرگمی، حساسیت، ویژگی و غیره استفاده می شود. در این پژوهش از دو معیار صحت و ماتریس سردرگمی استفاده می شود. مطابق با فرمول زیر صحت مدل در واقع نسبت موارد درست پیش بینی شده به کل موارد است.

جدول ۱. متغیرهای دموگرافیک کاربران رایانه

متغیرها	گروه‌ها	تعداد (درصد)
جنس	خانم	۷۰ (۷۰)
	آقا	۳۰ (۳۰)
گروه سنی	≤۳۰	۳۸ (۳۸)
	۳۱-۴۰	۴۵ (۴۵)
	≥۴۱	۱۷ (۱۷)
سابقه کار	۳-۱۰	۶۰ (۶۰)
	۱۱-۲۰	۲۸ (۲۸)
	۲۱-۳۰	۱۲ (۱۲)
شاخص توده بدنی (BMI)	لاغر ≤۱۸/۵	۷ (۷)
	طبیعی ۱۸/۵-۲۴/۹	۶۰ (۶۰)
	وزن طبیعی ۲۵-۲۹/۹	۲۸ (۲۸)
	چاقی ≥۳۰	۵ (۵)

ROSA معنادار مشاهده گردید و در سایر اندام‌ها معنادار نبود.

بر اساس جدول شماره ۳، میانگین نمره نهایی ROSA برای ۱۰۰ ایستگاه آنالیز شده برابر $4/4 \pm 0/9$ محاسبه گردید. کمترین میانگین نمره زیرمجموعه‌ها مربوط به موس-کیبورد است و بیشترین نمره مربوط به تلفن-مانیتور است.

بر اساس جدول شماره ۴، سطح ریسک تعداد ۶۵ ایستگاه کار بررسی گردید که ۳۵ ایستگاه کار (۳۵٪) امتیازی برابر و بالاتر از ۵ دارند که نیاز به ارزیابی بیشتر و اصلاحات فوری است.

همبستگی بین نمره نهایی عوامل تاثیرگذار بر اختلالات اسکلتی-عضلانی و نمره نهایی ROSA گزارش شده است. به طوری که بیشترین همبستگی با نمره نهایی ROSA مربوط به عامل صندلی با $R^2=0.46$ و پس از آن عامل تلفن-مانیتور با $R^2=0.43$ و در نهایت عامل موس-کیبورد با $R^2=0.42$ می‌باشد و اعتبار پیش بینی عوامل موثر بر اختلالات اسکلتی-عضلانی کار با رایانه طبق اولویت بندی الگوریتم شبکه عصبی به ترتیب برای صندلی (۴۸٪)، تلفن-مانیتور (۲۸٪) و در نهایت موس-کیبورد (۲۴٪) است.

ترتیب در نواحی کمر (۶۶٪)، گردن (۵۲٪) و بخش فوقانی پشت (۵۰٪) و کمترین مشکل در ناحیه آرنج (۱۸٪) مشاهده گردید. بیشترین مشکلات در گروه سنی ≤ 30 سال، مربوط به درد کمر (۵۹٪) و درد گردن (۴۴٪) و در گروه سنی ۳۱-۴۰ سال مربوط به درد کمر (۶۹٪) و قسمت فوقانی پشت (۵۶٪) و در گروه سنی ≥ 41 سال درد کمر (۶۳٪) و درد گردن (۵۲٪) گزارش شده است. بیشترین اختلالات اسکلتی-عضلانی مربوط به درد کمر بود که شیوع آن در خانم‌ها (۷۰٪) و در آقایان (۴۸٪) گزارش گردید و شیوع اختلالات اسکلتی-عضلانی در خانم‌ها بیشتر از آقایان مشاهده گردید. نتایج آزمون آماری نشان داد تفاوت معناداری در فراوانی اختلالات اسکلتی-عضلانی از نظر BMI وجود نداشت و با افزایش سابقه کار میزان اختلالات اسکلتی-عضلانی افزایش یافت.

نتایج حاصل از فراوانی کاربران رایانه بر حسب سطح کلی مواجهه با ریسک پوسچر نامناسب در کل بدن به روش ROSA و ارتباط بین توزیع فراوانی اختلالات اسکلتی-عضلانی در جدول شماره ۲ نشان داده شده است به طوری که فقط در ناحیه گردن ارتباط بین اختلالات این ناحیه با امتیاز روش

جدول ۲. توزیع فراوانی وجود اختلالات اسکلتی-عضلانی برحسب سطح مواجهه با ریسک پوسچر نامناسب در کاربران کامپیوتر

P_value	سطح مواجهه با ریسک براساس نمره ROSA						وجود درد	اندام
	جمع	۷	۶	۵	۴	۳		
۰/۰۳	۵۲	۲	۲۲	۱۴	۱۴	۰	دارد	گردن
	۴۸	۰	۱۰	۱۸	۱۶	۴	ندارد	
۰/۰۹	۵۵	۱	۲۰	۱۹	۱۳	۲	دارد	شانه
	۴۵	۱	۱۴	۱۴	۱۴	۲	ندارد	
۰/۰۳	۱۸	۰	۱۱	۶	۱	۰	دارد	آرنج
	۸۲	۲	۲۵	۲۲	۲۹	۴	ندارد	
۰/۰۶	۵۰	۰	۱۷	۱۶	۱۶	۱	دارد	مچها/دستها
	۵۰	۲	۱۸	۱۵	۱۳	۲	ندارد	
۰/۰۳	۶۶	۲	۲۲	۱۹	۲۲	۱	دارد	کمر
	۳۴	۰	۱۲	۱۱	۸	۳	ندارد	
۰/۰۷	۲۰	۱	۷	۶	۶	۰	دارد	باسن/ران
	۸۰	۱	۲۵	۲۶	۲۴	۴	ندارد	
۰/۰۱	۳۷	۰	۱۸	۱۰	۹	۰	دارد	زانوها
	۶۳	۲	۱۸	۲۰	۱۹	۴	ندارد	
۰/۰۹	۵۰	۱	۱۹	۱۷	۱۳	۲	دارد	قسمت فوقانی پشت
	۵۰	۱	۱۷	۱۵	۱۴	۳	ندارد	
۰/۰۷	۱۶	۰	۱۶	۴	۶	۰	دارد	قوزک/پاها
	۸۴	۲	۲۶	۲۸	۲۴	۴	ندارد	

جدول ۳. میانگین و انحراف معیار نمره نهایی و عوامل موثر بر اختلالات اسکلتی-عضلانی کار با رایانه بر اساس روش ROSA

ریسک فاکتور	انحراف معیار±میانگین	حداقل نمره	حداکثر نمره
صندلی	۳/۱±۷	۱	۶
تلفن- مانیتور	۳/۱±۶/۱	۱	۶
موس- کیبورد	۳/۱±۶۵/۲	۱	۷
امتیاز ROSA	۴/۰±۴/۹	۲	۷

جدول ۴. سطح ریسک ایستگاه ها بر اساس امتیاز نهایی روش ROSA

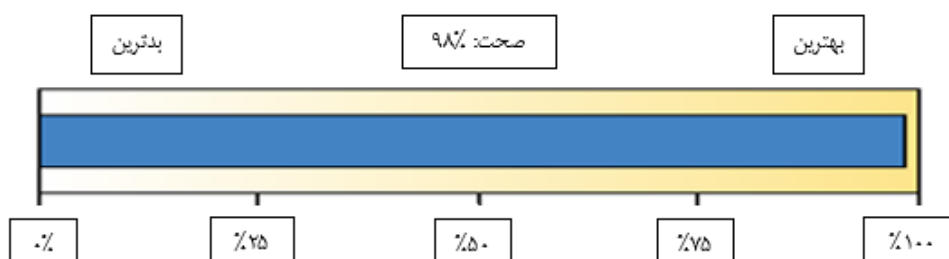
تعداد	درصد (%)	حداقل- حداکثر (نمره)
۳۵	۳۵	۵-۷
۶۵	۶۵	۲-۴

عصبی در بررسی میزان تاثیر عوامل موثر بر اختلالات اسکلتی-عضلانی، طبق طبقه بندی امتیاز نهایی ROSA برابر ۹۸٪ به دست آمد.

جدول شماره ۵ ماتریس سردرگمی و میزان صحت الگوریتم شبکه عصبی در خصوص پیش بینی امتیاز روش ROSA را نشان می دهد که صحت الگوریتم شبکه

جدول ۵. ماتریس سردرگمی (Confusion matrix) و میزان صحت الگوریتم شبکه عصبی در خصوص پیش بینی امتیاز روش ROSA

مشاهده شده	پیش بینی شده							
	۲	۳	۴	۵	۶	۷	۸	۹
۲	۰٪	۰٪	۵۰٪	۰٪	۰٪	۵۰٪	۰٪	۰٪
۳	۰٪	۱۰۰٪	۰٪	۰٪	۰٪	۰٪	۰٪	۰٪
۴	۰٪	۰٪	۱۰۰٪	۰٪	۰٪	۰٪	۰٪	۰٪
۵	۰٪	۰٪	۰٪	۱۰۰٪	۰٪	۰٪	۰٪	۰٪
۶	۰٪	۰٪	۰٪	۰٪	۱۰۰٪	۰٪	۰٪	۰٪
۷	۰٪	۰٪	۰٪	۰٪	۰٪	۱۰۰٪	۰٪	۰٪
۸	۰٪	۰٪	۰٪	۰٪	۰٪	۰٪	۱۰۰٪	۰٪
۹	۰٪	۰٪	۰٪	۰٪	۰٪	۰٪	۱۰۰٪	۰٪



بحث

پرسشنامه نوردیک بیشترین شیوع اختلالات اسکلتی عضلانی به ترتیب در نواحی کمر، گردن و پشت بود. در مطالعه Bergqvist و همکارانش (۴۵) بیشترین اختلالات اسکلتی عضلانی در ناحیه شانه و گردن بوده است که با یافته های مطالعه حاضر همخوانی داشت. نتایج مطالعه قنبری و همکارانش (۴۶) نیز شیوع اختلالات اسکلتی-عضلانی را در بین کاربران رایانه انجام دادند نشان داد که فراوانی این اختلالات در شانه، گردن و کمر بیشترین مقدار را داشته، که نتایج این مطالعه مشابه با مطالعه حاضر می باشد. مطالعه نصیری و همکارانش نیز بیشترین شیوع اختلالات اسکلتی-عضلانی در نواحی گردن، کمر و قسمت فوقانی پشت گزارش گردید که همسو با نتایج این مطالعه می باشد (۶). احتمالاً وجود این وضعیت می تواند به دلیل طراحی نامناسب ایستگاه های کاری در این افراد باشد. کار اداری به دلیل ماهیت شغلی خود اغلب نیازمند ایجاد یک وضعیت استاتیک در بدن و نشستن روی صندلی در مدت زمان

این مطالعه به صورت مقطعی و با هدف پیش بینی، وزن دهی و اولویت بندی عوامل موثر بر اختلالات اسکلتی-عضلانی کاربران رایانه به روش شبکه عصبی انجام شد. بیشترین میانگین نمره نهایی مربوط به بخش صندلی با نمره $3/7 \pm 1$ و میانگین نمره نهایی شاخص ROSA مقدار $4/4 \pm 0/9$ محاسبه گردید. تعداد ۶۵ ایستگاه کار امتیازی کمتر از ۵ و تعداد ۳۵ ایستگاه کار امتیازی برابر و بالاتر از ۵ بدست آمد. بیشتر ایستگاه های کاری نیازی به انجام مداخلات ارگونومیکی نداشته و تجهیزات آن ها استاندارد بوده است. بیشترین همبستگی با نمره نهایی ROSA و عامل موثر بر اختلالات اسکلتی-عضلانی کار با رایانه طبق اولویت بندی الگوریتم شبکه عصبی برای عامل صندلی محاسبه گردید.

نتایج مطالعه حاضر بیانگر این است که کاربران رایانه با توجه به نوع و ماهیت کارشان در معرض اختلالات اسکلتی عضلانی قرار دارند. با توجه به نتایج حاصل از

اختلالات اسکلتی-عضلانی ناشی از کار بیشتر در فعالیت‌های سنگین جسمی مشاهده می‌شود و با توجه به اینکه ماهیت کاری افراد مورد مطالعه به گونه‌ای است که کمتر به فعالیت‌های سنگین جسمی اشتغال دارند، بنابراین شاخص توده بدنی تأثیری بر فراوانی وجود اختلالات نداشته است که با نتایج مطالعه فلکی و همکارانش همخوانی داشت (۴۹).

بر اساس نتایج ROSA مشخص شد که ۶۵٪ ایستگاه‌ها در ناحیه هشدار و ۳۵٪ دیگر در ناحیه اقدامات سریع ارگونومیکی قرار دارند و تمامی افرادی که دارای اختلالات اسکلتی-عضلانی در یکی از اندام‌های خود بوده‌اند در دو ناحیه هشدار یا اقدام سریع ارگونومیکی قرار داشتند که با نتایج حاصل از مطالعه انجام شده توسط فلکی و همکارانش (۴۹) مطابقت دارد، نتایج حاصل از مطالعه آن‌ها نشان داد که با افزایش امتیاز نهایی ROSA فراوانی اختلالات اسکلتی-عضلانی افزایش می‌یابد. همچنین در این راستا می‌توان به نتایج مطالعه‌ای که توسط Sonne و همکارانش (۵۵) به منظور ارزیابی و گسترش روش جدید ROSA در محیط‌های اداری انجام شد اشاره نمود، بدین صورت که هر چه شرایط ایستگاه‌های کاری نامناسب‌تر و امتیاز نهایی ROSA بیشتر باشد میزان بروز صدمات اسکلتی-عضلانی بیشتر است. در مطالعه سعیدی و همکاران (۵۶) نیز با افزایش نمره ROSA فراوانی اختلالات اسکلتی-عضلانی افزایش می‌یابد که با نتایج این مطالعه همخوانی داشت. نمره نهایی ROSA با شیوع اختلالات در نواحی گردن رابطه مستقیم و معناداری داشته است. در واقع با افزایش نمره ROSA افزایش شیوع اختلالات اسکلتی-عضلانی در گردن را به دنبال داشت که با نتایج مطالعه حبیبی و همکارانش (۵۷) همخوانی داشت.

در مطالعه‌ای که توسط Sonne و همکارانش (۵۵) انجام شد میانگین نمره نهایی ROSA برای ۷۲ ایستگاه کاری $4/13 \pm 1/14$ ، میانگین نمره صدلی، تلفن-مانیتور و موس-کیبورد به ترتیب $3/08 \pm 1/02$ ، $1/21 \pm$

طولانی می‌باشد. تعامل کار نشسته در مدت زمان طولانی و طراحی نامناسب ایستگاه کاری ممکن است سبب انقباض استاتیکی طولانی مدت عضلات شده و این امر باعث افزایش فشار وارده روی دیسک‌های بین مهره‌ای و تغییر انحاء ستون فقرات شود که در نهایت ایجاد چنین تغییراتی ممکن است باعث افزایش ریسک ابتلا به ناراحتی‌های اسکلتی-عضلانی در ستون فقرات گردد (۴۷، ۴۸).

نتایج این مطالعه نشان داد، شیوع اختلالات اسکلتی-عضلانی در خانم‌ها بیشتر از آقایان می‌باشد که با نتایج مطالعه فلکی و همکارانش (۴۹) و سهل‌آبادی و همکارانش (۵۰) همخوانی داشت این پیش‌بینی تا حدودی قابل انتظار بود، چرا که زنان به دلیل وضعیت جسمانی و فیزیولوژیک متفاوت نسبت به مردان و طراحی اغلب ایستگاه‌های کاری برای مردان بیشتر در معرض ابتلا به این اختلالات هستند که با نتایج مطالعه همچنین در مطالعات، جنسیت بعنوان یک ریسک فاکتور در بروز این اختلالات و بیشتر بودن شیوع آنها در خانم‌ها مطرح شده است از دلایل این مهم می‌توان به کوچکتر بودن جثه و حجم عضلات در خانم‌ها نیز اشاره نمود (۵۱).

در مطالعه حاضر نشان داد که با افزایش سابقه کار، فراوانی افراد مبتلا به اختلالات اسکلتی-عضلانی افزایش می‌یابد. در مطالعه Ger و همکارانش (۵۲) با افزایش سابقه کاری میزان شیوع اختلالات اسکلتی-عضلانی نیز افزایش یافته است، بهرامی (۵۳)، رحیمی مقدم (۳۲) و همکارانش (۵۴) نیز ارتباط معناداری را بین افزایش سابقه کار و میزان شیوع این اختلالات نشان دادند که یافته‌های مطالعه حاضر را تأیید می‌کند. دلیل آن مربوط به این مطلب است که شروع اختلالات اسکلتی-عضلانی به صورت تدریجی بوده و با افزایش سابقه کار بروز می‌نمایند.

براساس یافته‌های پژوهش، بین فراوانی اختلالات اسکلتی-عضلانی و شاخص توده بدنی اختلاف معناداری وجود نداشت. از آنجایی که تأثیر شاخص توده بدنی بر

شانه و گردن کاربران رایانه به دست آمد (۶۰). نتایج مطالعه حاضر اختلاف اندکی با مطالعات ذکر شده دارد، به گونه ای که در مطالعه حاضر، بیشترین وزن مربوط به صندلی است و در نتیجه اختلالات ناحیه کمر بیشترین مقدار است و اختلالات گردن از نظر اهمیت طبق وزن دهی الگوریتم شبکه عصبی در رتبه دوم اختلالات است. نتایج مطالعه Juul-Kristensen و همکارانش (۶۱) و Janwantanakul و همکارانش (۶۲) نیز مطابق با نتایج دو مطالعه فوق است، به گونه ای که شیوع ناراحتی های کارمندان اداری در نواحی گردن- شانه ها، کمر و دست- آرنج نسبت به دیگر نواحی بالاتر است. در مطالعاتی، کارکردن بیش از ۷۵٪ زمان کاری با کامپیوتر را به عنوان عامل پیش آگهی برای علائم اسکلتی-عضلانی در نواحی گردن- شانه و دست- آرنج و سرعت انجام کار به عنوان فاکتور پیش آگهی برای ناراحتی های کمر شناخته شدند (۶۱،۶۲).

مدل موردنظر توانسته است شاخص ROSA را برای تمامی افرادی که امتیاز آن ها بین ۳ تا ۸ بوده است، به درستی پیش بینی کند. درحالی که مدل برای افرادی که امتیاز ۲ داشته اند، نتوانسته پیش بینی درستی انجام دهد و امتیاز ROSA را برای نیمی از آن ها ۴ و برای نیمی دیگر ۷ پیش بینی کرده است. همچنین مدل ایجاد شده برای تمامی افرادی که امتیاز ۹ داشته اند، امتیاز ۸ را پیش بینی کرده است بنابراین میزان صحت الگوریتم شبکه عصبی در خصوص پیش بینی امتیاز روش ROSA برابر ۹۸٪ بوده است که با نتایج مطالعه الهی و هاشمی نژاد (۱۰) همخوانی داشت.

تاکنون مطالعات فراوانی در خصوص کار با کامپیوتر و ارزیابی اختلالات اسکلتی-عضلانی ناشی از آن در بین کارکنان اداری شاعل صورت گرفته است، اما مطالعات بسیار کمی در خصوص ارزیابی، پیش بینی، وزن دهی و اولویت بندی عوامل موثر بر اختلالات اسکلتی-عضلانی با استفاده از الگوریتم شبکه عصبی انجام شده است لذا انجام مطالعات با تعداد نمونه های بیشتر در این خصوص پیشنهاد می گردد. از محدودیت های این مطالعه عدم همکاری و

۲/۵۸ و $3/65 \pm 1/28$ به دست آمد. که روش ROSA روشی تاثیرگذار و قابل اطمینانی برای شناسایی ریسک فاکتورهای مرتبط در استفاده از کامپیوتر شناخته شد (۵۴). نتایج مطالعه Sonne و همکارانش (۵۵) و الهی و هاشمی نژاد (۱۰) همخوانی زیادی با مطالعه حاضر دارد، به گونه ای که افراد در آستانه شروع گسترش اختلالات اسکلتی-عضلانی هستند و میانگین نمره عوامل موثر بر آن (به جز تلفن-مانیتور) نزدیک به این مطالعه است. در مطالعه دیگری که توسط قنبری سرتنگ و همکارانش (۱) انجام گردید، در ارزیابی پوسچر به روش ROSA مشخص شد که ۶۹ ایستگاه (۷۱٪) در ناحیه امتیاز کمتر از ۵ و ۲۷ ایستگاه (۲۹٪) در ناحیه امتیاز بیشتر از ۵ (ضرورت انجام مداخله ارگونومی) قرار دارند. میانگین امتیاز نهایی نیز ۴/۹۳ به دست آمد. همچنین در مطالعه فراستی و همکارانش (۵۸) نیز بر اساس سطح ریسک امتیاز نهایی ROSA مشخص شد که ۴۹ ایستگاه (۶۹٪) امتیازی کمتر از ۵ دارند و ۲۲ ایستگاه (۳۱٪) امتیاز بالای ۵ دارند که با نتایج این مطالعه همخوانی داشت. در این مطالعات همانند مطالعه حاضر، درصد قابل توجهی از ایستگاه ها نمره کمتر از ۵ دارند و نیازی به اصلاحات فوری در ایستگاه های کاری نمی باشد. اما در مطالعه آزما و همکارانش (۵۹)، میانگین نمره صندلی، تلفن-مانیتور و موس-کیبورد قبل از مداخله به ترتیب ۴/۶۷، ۴/۰۷ و ۳/۴۸ به دست آمد که نسبت به مطالعه حاضر نمرات از مقدار بالاتری برخوردار هستند. میانگین نمرات صندلی، تلفن-مانیتور و موس-کیبورد بعد از مداخله به ترتیب ۴/۶، ۳/۳۶ و ۳/۱۲ به دست آمد. تفاوت معناداری در میانگین نمره صندلی قبل و بعد از مداخله مشاهده نگردید ولی نمره تلفن-مانیتور و موس-کیبورد کاهش معناداری پیدا کرد. همچنین میانگین نمره نهایی ROSA قبل و بعد از مداخله به ترتیب ۵/۱۸ و ۴/۲ به دست آمد که این نشان دهنده پیشگیری از بروز اختلالات اسکلتی-عضلانی است (۵۹). در مطالعه ای که توسط Szeto و همکارانش انجام شد، همین نتایج یافت شد؛ به گونه ای که بیشترین اختلالات در ناحیه

مانیتور و تلفن می توان بخش عمده ای از صدمات و اختلالات اسکلتی عضلانی کاربران رایانه پیشگیری نمود. اجرای روش ROSA در شناسایی ماهیت و تأثیر هر یک از اختلالات اسکلتی-عضلانی کاربران موثر می باشد و مداخلات ارگونومیکی با توجه به مقدار اثرگذاری عوامل در جهت کاهش این اختلالات انجام می شود.

تشکر و قدردانی

بدینوسیله از همکاری و حمایت های همه جانبه معاونت تحقیقات و فناوری دانشگاه علوم پزشکی خراسان شمالی و نیز همکاران و مدیران محترم این دانشگاه نهایت تقدیر و تشکر را داریم.

REFERENCES

- Ghanbary-Sartang A, Habibi H. Evaluation of musculoskeletal disorders to method Rapid Office Strain Assessment (ROSA) in computers users. Journal of Preventive Medicine. 2015;2(1):47-54. [Persian]
- Poochada W, Chaikleng S. Ergonomic risk assessment among call center workers. Procedia Manufacturing. 2015 Jan 1;3:4613-20.
- Bagheri A., Ezatian R., Ali Gul M. Occupational health and health risks to office workers: Sustainable Creative Ideas Publishing; 2014
- Johnston V, Souvlis T, Jimmieson NL, Jull G. Associations between individual and workplace risk factors for self-reported neck pain and disability among female office workers. Applied ergonomics. 2008 Mar 1;39(2):171-82.
- Lin Z, Popovic A. Working with computers in Canada: an empirical analysis of incidence, frequency and purpose. Ottawa (CA): Human Resources Development Canada; 2003. 1-2.
- Marshall K. Working with computers. Perspect Lab Income. 2001; 2(5):9-15.
- Nasiri IM. The survey of musculoskeletal disorders risk factors among office workers and the implementation of an ergonomic training program. Journal Mil Med. 2015 Mar 10; 16(4):211-6. [Persian]
- Lin Z, Popovic A. Working with computers in Canada: An empirical analysis of incidence, frequency and purpose. Human Resources Development Canada; 2003 Apr.

مشارکت برخی از کاربران رایانه به دلیل عدم آگاهی بود که با ارائه توضیحات در خصوص مشخصات این مطالعه این مهم نیز رفع گردید.

نتیجه گیری

بر اساس نتایج بدست آمده، وزن عوامل موثر بر اختلالات اسکلتی-عضلانی کار با رایانه طبق اولویت بندی الگوریتم شبکه عصبی به ترتیب برای صندلی، تلفن-مانیتور و موس-کیبورد است و بیشترین همبستگی با نمره نهایی ROSA بترتیب مربوط به عامل صندلی، تلفن-مانیتور و موس-کیبورد می باشد. لذا با اصلاح ارگونومیک صندلی کاربران و جانمایی مناسب

- Marshall K. Working with computers. Perspect Labour Income. 2001;22(5).
- Ferasati F, Jalilian M. Evaluation of WMSDs in VDT users with Rapid office strain assessment (ROSA) method. J Ergon. 2014;1(3):65-74. [Persian]
- Elahi Shirvani, Hossein, Hasheminejad, Nasser. Prediction of effective factors on musculoskeletal disorders of computer users of Kerman University of Medical Sciences by neural network method in 139. Journal of North Khorasan University of Medical Sciences. 2019 Dec 10; 11 (3): 14-21. [Persian]
- Day JC, Janus A, Davis J. Computer and internet use in the United States: 2003.
- Matos M, Arezes PM. ergonomic evaluation of office workplaces with rapid office strain assessment (ROSA). Procedia Manuf. 2015;3:4689-94.
- Gerr F, Marcus M, Ensor C, Kleinbaum D, Cohen S, Edwards A, et al. A prospective study of computer users: I. Study design and incidence of musculoskeletal symptoms and disorders. American journal of industrial medicine. 2002;41(4):221-35
- Juul-Kristensen B, Jensen C. Self-reported workplace related ergonomic conditions as prognostic factors for musculoskeletal symptoms: the "BIT" follow up study on office workers. Occupational and environmental medicine. 2005;62(3):188-94.
- Korhonen T, Ketola R, Toivonen R, Luukkonen R,

- Häkkänen M, Viikari-Juntura E. Work related and individual predictors for incident neck pain among office employees working with video display units. *Occupational and environmental medicine*. 2003;60(7):475-82.
- 16- Mazloumi A, Kazemi Z, Mehrdad R, Vahedi Z, HajiZade L. Risk Factors of Low Back Pain in Iranian Workers during 2000-2015: A Systematic Review. *International Journal of Occupational Hygiene*. 2020 Sep 30; 12(3).
- 17-Nicholas RA, Feuerstein M, Suchday S. Workstyle and upper-extremity symptoms: a biobehavioral perspective. *Journal of occupational and environmental medicine*. 2005;47(4):352-61.
- 18- Madadizadeh F, Vali L, Khalilabad Th, Asar Me. Work-Related Musculoskeletal Disorders among Administrative Employees of Kerman University of Medical Sciences. *International Journal of Occupational Hygiene*. 2016;8(2):78-84
- 19-Mirmohammadi S, Mehrparvar A, Soleimani H, Lotfi MH, Akbari H, Heidari N. Musculoskeletal disorders among video display terminal (VDT) workers comparing with other office workers. *Iran Occupational Health*. 2010;7(2):11-4. [Persian]
- 20-Mehrparvar AH, Heydari M, Mirmohammadi SJ, Mostaghaci M, Davari MH, Taheri M. Ergonomic intervention, workplace exercises and musculoskeletal complaints: a comparative study. *Medical journal of the Islamic Republic of Iran*. 2014;28:6
- 21-maul I, Läubli T, Klipstein A, Krueger H. Course of low back pain among nurses: a longitudinal study across eight years. *Occupational and environmental medicine*. 2003;60(7):497-503.
- 22-Winkelstein BA. Mechanisms of central sensitization, neuroimmunology & injury biomechanics in persistent pain: implications for musculoskeletal disorders. *Journal of Electromyography and Kinesiology*. 2004;14(1):87-93
- 23-Choobineh A, Tabatabaee SH, Behzadi M. Musculoskeletal problems among workers of an Iranian sugar-producing factory. *International journal of occupational safety and ergonomics*. 2009;15(4):419-24
- 24-Lin T-H, Liu YC, Hsieh T-Y, Hsiao F-Y, Lai Y-C, Chang C-S. Prevalence of and risk factors for musculoskeletal complaints among Taiwanese dentists. *Journal of Dental Sciences*. 2012;7(1):65-71.
- 25-Smith CA, Sommerich CM, Mirka GA, George MC. An investigation of ergonomic interventions in dental hygiene work. *Applied ergonomics*. 2002;33(2):175-84.
- 26- Bernard BP, Putz-Anderson V. Musculoskeletal disorders and workplace factors; a critical review of epidemiologic evidence for work-related musculoskeletal disorders of the neck, upper extremity, and low back. 1997.
- 27-Denis D, St-Vincent M, Imbeau D, Jette C, Nastasia I. Intervention practices in musculoskeletal disorder prevention: a critical literature review. *Applied ergonomics*. 2008;39(1):1-14
- 28-Nasiri I, Motamedzade M, Golmohammadi R, Faradmal J. Assessment of risk factors for musculoskeletal disorders using the Rapid Office Strain Assessment (ROSA) Method and implementing ergonomics intervention programs in Sepah Bank. *Journal of Health and Safety at Work*. 2015;5(2):47-62. [Persian]
- 29-Sauter SL, Gottlieb MS, Jones KC, Dodson VN, Rohrer KM. Job and health implications of VDT use: initial results of the Wisconsin-NIOSH study. *Commun ACM*. 1983;26(4):284-94.
- 30-Sauter SL, Schleifer LM, Knutson SJ. Work posture, workstation design, and musculoskeletal discomfort in a VDT data entry task. *Hum Factors*. 1991;33(2):151-67.
- 31-Lowe BD, Weir P, Andrews D. Observation-based posture assessment: review of current practice and recommendations for improvement. 2014.
- 32-McAtamney L, Corlett EN. RULA: a survey method for the investigation of work-related upper limb disorders. *Appl Ergon*. 1993;24(2):91-9.
- 33-Hignett S, McAtamney L. Rapid entire body assessment (REBA). *Appl Ergon*. 2000;31(2):201-5.
- 34-David G, Woods V, Li G, Buckle P. The development of the Quick Exposure Check (QEC) for assessing exposure to risk factors for work-related musculoskeletal disorders. *Applied ergonomics*. 2008 Jan 1; 39(1):57-69.
- 35-Sonne M, Villalta DL, Andrews DM. Development and evaluation of an office ergonomic risk checklist: ROSA-Rapid office strain assessment. *Appl Ergon*. 2012;43(1):98-108.
- 36-Association CS. CSA-Z412 Guideline on Office Ergonomics. CSA Int Toronto, Ontario. 2000;148-217.
- 37-Kohzadi N, Boyd MS, Kaastra I, Kermanshahi BS, Scuse D. Neural networks for forecasting: an introduction. *Can J Agric Econ Can d'agroéconomie*. 1995;43(3):463-74.
- 38-Golabi MR, Akhondali AM, Radmanesh F. Comparison of The Performance of Different Neural Networks

- Algorithm Functions In Simulation Of Seasonal Precipitation Case Study: Selected Stations Of Khuzestan Province. 2013.
- 39- Zakerjafari HR, YektaKooshali MH. Work-related musculoskeletal disorders in Iranian dentists: a systematic review and meta-analysis. *Journal of Health and Safety at Work*. 2018; 9(1):1-9. [Persian]
- 40- Mazloui A, Kazemi Z, Mehrdad R, Helmi Kohneh Shahri M, Pour Hossein M. Validity and reliability of WRQoL-2 questionnaire for assessment of nurses' quality of work life. *Journal of Health and Safety at Work*. 2017; 7(2):143-52. [Persian]
- 41- Johnston V, Souvlis T, Jimmieson NL, Jull G. Associations between individual and workplace risk factors for self-reported neck pain and disability among female office workers. *Appl Ergon*. 2008; 39(2):171-82.
- 42- Ramos-Miguel A, Perez-Zaballos T, Perez D, Falconb JC, Ramosb A. Use of data mining to predict significant factors and benefits of bilateral cochlear implantation. *Eur Arch Oto-Rhino-Laryngology*. 2015;272(11):3157-62.
- 43- López-Aragón L, López-Liria R, Callejón-Ferre AJ, Gómez-Galán M. Applications of the standardized Nordic questionnaire: a review. *Sustainability*. 2017 Sep;9(9):1514.
- 44- Wang E. Addressing uncertainties in residential energy performance benchmarking and projecting through data mining approach. The University of Nebraska-Lincoln; 2013.
- 45- Bergqvist U, Wolgast E, Nilsson B, Voss M. Musculoskeletal disorders among visual display terminal workers: individual, ergonomic, and work organizational factors. *Ergonomics*. 2005; 38(4):763-76
- 46- Ariëns G, Bongers P, Douwes M, Miedema M, Hoogendoorn W, van der Wal G, et al. Are neck flexion, neck rotation, and sitting at work risk factors for neck pain? Results of a prospective cohort study. *Occupational and environmental medicine*. 2001; 58(3):200-7.
- 47- Wahlström J. Ergonomics, musculoskeletal disorders and computer work. *Occupational Medicine*. 2005; 55(3):168-76.
- 48- Moghaddam SR, Khanjani N, Hasheminejad N. Evaluating risk factors of work-related musculoskeletal disorders in assembly workers of Nishabur, Iran using rapid upper limb assessment. *Health and Development Journal*. 2012; 1(3):227-0. [Persian]
- 49- Falaki S, Akbari H, Derakhshan M, Hannani M, Motalebi Kashani M. Prevalence and postural risk factors associated with musculoskeletal disorders among medical laboratory personnel in Kashan 2012. *Iran Occupational Health*. 2016; 12(6):58-68. [Persian]
- 50- Salehi Sahlabadi A, Karim A, Khatabakhsh A, Soori H. Ergonomic Evaluation of Office Staff by Rapid Office Strain Assessment Method and Its Relationship with the Prevalence of Musculoskeletal Disorders. *Journal of Health*. Vol. 11, No. 2, summer 2020, Pages 22. [Persian]
- 51- Collins JD, O'Sullivan LW. Musculoskeletal disorder prevalence and psychosocial risk exposures by age and gender in a cohort of office based employees in two academic institutions. *International Journal of Industrial Ergonomics*. 2015; 46:85-97.
- 52- Gerr F, Marcus M, Monteilh C. Epidemiology of musculoskeletal disorders among computer users: lesson learned from the role of posture and keyboard use. *Journal of Electromyography and Kinesiology*. 2004; 14(1):25-31
- 53- Bahrami A, Akbari H, Namayandeh M, Abdollahi N. Assessment of the musculoskeletal complaints of Kashan university hospitals staffs in 2006. *KAUMS Journal (FEYZ)*. 2009; 12(5):33-8. [Persian]
- 54- Moghaddam SR, Khanjani N, Hasheminejad N. Evaluating risk factors of work-related musculoskeletal disorders in assembly workers of Nishabur, Iran using rapid upper limb assessment. *Health and Development Journal*. 2012; 1(3):227-0. [Persian]
- 55- Sonne M, Villalta DL, Andrews DM. Development and evaluation of an office ergonomic risk checklist: ROSA-Rapid office strain assessment. *Applied ergonomics*. 2012; 43(1):98-108
- 56- Saeidi C, Dastaran S, Musavi S. Evaluation of the Risk Factors Musculoskeletal Disorders and its Relation to the Workload of Employees at 118 Call Center in Sanandaj, Iran. *Journal of Health and Development*. 2016; 5(2):110-21. [Persian]
- 57- Habibi E, Ebrahimi H, Barakat S, Maghsoudian L. Ergonomic assessment of musculoskeletal disorders risk factors in office staff using ROSA method and its relation with efficiency. *Journal Mil Med*. 2017; 19(1):31-9. [Persian]

- 58- Ferasati F, Jalilian M. Evaluation of WMSDs in VDT users with Rapid office strain assessment (ROSA) method. *J Ergon.* 2014;1(3):65-74. [Persian]
- 59- Azma, Kamran, Nasiri, Abedi. Assessing the risk factors for musculoskeletal disorders in offices and implementing ergonomics training program. *Military medicine.* 2015 Mar 10; 16 (4): 211-6. [Persian]
- 60- Szeto GPY, Straker LM, O'Sullivan PB. A comparison of symptomatic and asymptomatic office workers performing monotonous keyboard work—1: neck and shoulder muscle recruitment patterns. *Man Ther.* 2005;10(4):270-80.
- 61- Juul-Kristensen B, Jensen C. Self-reported workplace related ergonomic conditions as prognostic factors for musculoskeletal symptoms: the "BIT" follow up study on office workers. *Occup Environ Med.* 2005;62(3):188-94.
- 62- Janwantanakul P, Pensri P, Jiamjarasrangsi V, Sinsongsook T. Prevalence of self-reported musculoskeletal symptoms among office workers. *Occup Med (Chic Ill).* 2008;58(6):436-8.